

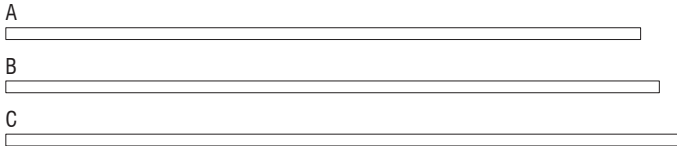
STICOTTI

Coat Rack Sticotti Joinery Line Assembly Instructions

STEP 1

Identify all the different pieces.

3 VERTICAL POLES



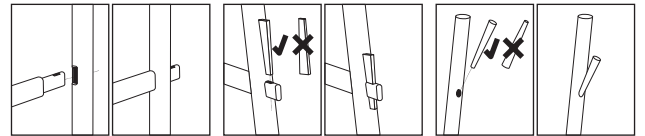
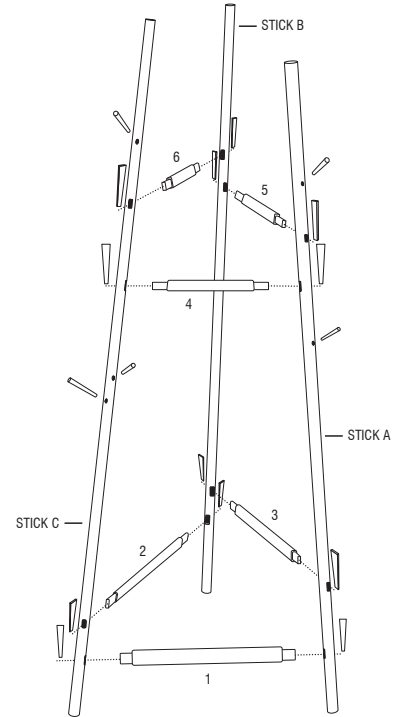
6 HORIZONTAL STICKS



12 PEGS



12 FASTENERS



STEP 2

Start joining pieces from bottom to top.

NOTE: This step may require 2 people.

BOTTOM:

Use stick #1 to join vertical pole A and C.

Then use stick #2 to join vertical pole C and B.

Finally use stick #3 to join vertical pole A and B.

TOP:

Use stick #4 to join vertical pole A and C.

Then use stick #5 to join vertical pole A and B.

Finally use stick #6 to join vertical pole B and C.

STEP 3

Once the structure of the rack is done proceed to lock the short uprights with the wedges/fasteners provided.

NOTE: It is very important to complete step 2 before proceeding to step 3.

STEP 4

Fit pegs into the holes.



WARNING

SERIOUS OR FATAL CRASHING INJURIES CAN OCCUR FROM FURNITURE TIP-OVER.

